

Please note that the data given here has been taken from the online catalog. For comprehensive information and data, please refer to the user documentation at <http://www.download.phoenixcontact.com>. The General Terms and Conditions of Use apply to Internet downloads.

► Extract from the online catalog

Mounting frame, single, IP67, without fixing screws,
for modular female inserts (Keystone)



Order No.	1689080
Ord designation	VS-08-A-RJ45/MOD-1-IP67
EAN	4017918863623
Pack	5 Pcs.
Customs tariff	85389099
Catalog page information	Page 31 (PC-2005)

► Technical data

Material data

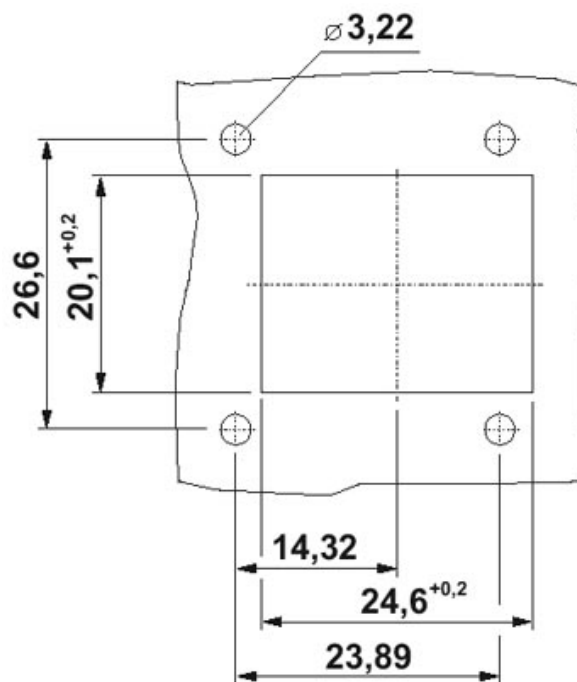
Housing material	PA
Degree of protection	IP67
Inflammability class acc. to UL 94	V0

Electrical characteristics

Ambient temperature (operation)	-40 °C ... 80 °C
---------------------------------	------------------

► Drawings

Dimensioned drawing



► Accessories

Item	Designation	Description
General		
1689200	VS-08-SD	Protective cover, for covering the contact insert in the panel mounting frame or sleeve housing, VPE=100
1652606	VS-08-SD-F	Protective cover, flat design, for covering the contact insert in the panel mounting frame

► Address

PHOENIX CONTACT GmbH & Co. KG
Flachsmarktstr. 8
32825 Blomberg
Germany
Phone +49 5235 3 00
Fax +49 5235 3 41200
<http://www.phoenixcontact.com>
Phoenix Contact
Technical modifications reserved;